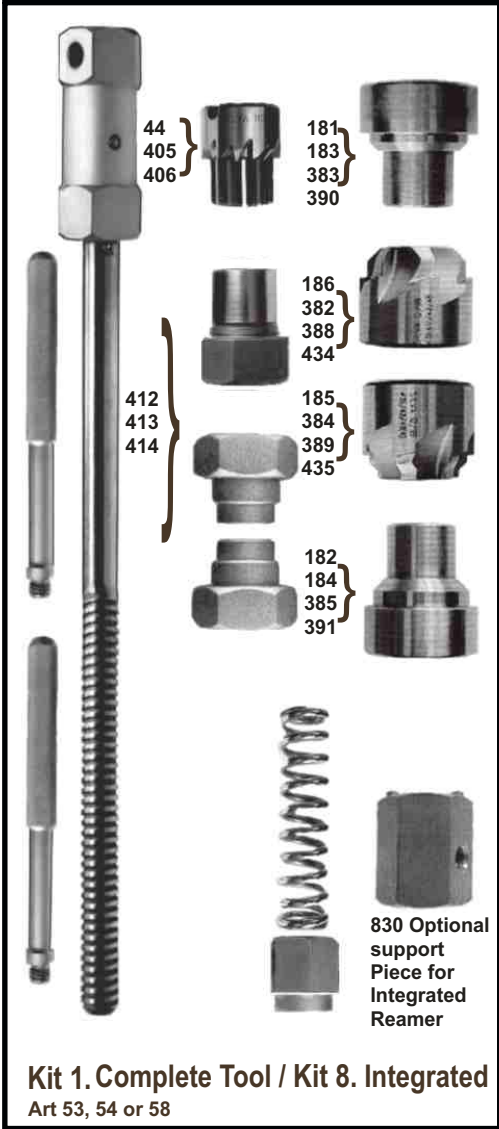
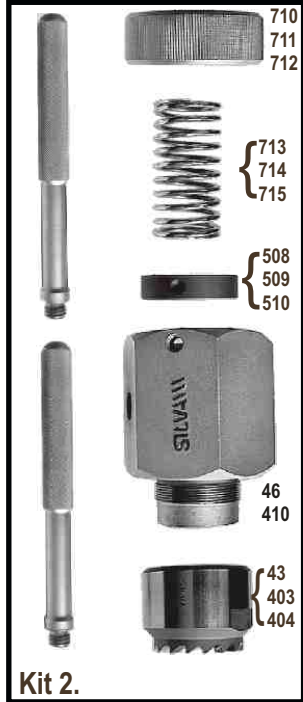


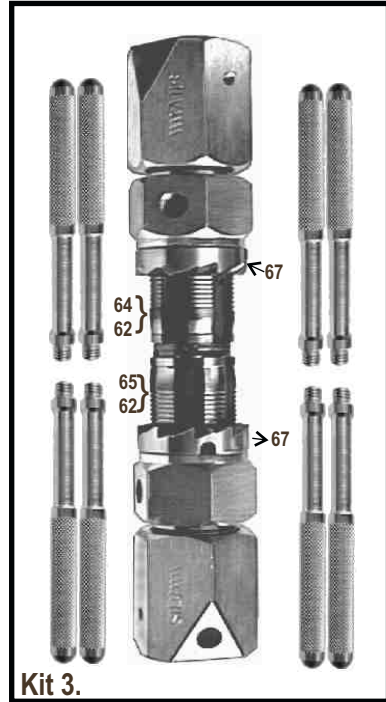
Silva Tools



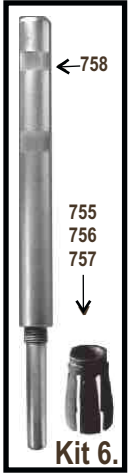
Head tube reamer and facer with headset parts available in 3 sizes. 1", 1 1/8", 1 1/4". Integrated Head tube reamer option. Cutters available for various systems.



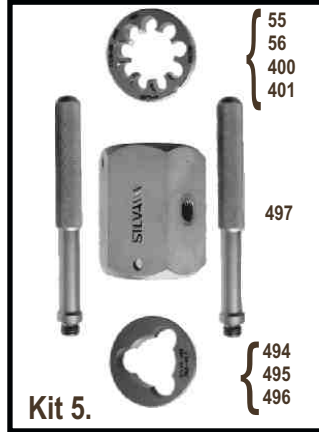
Crown Race Cutting Tool 3 Kits available for 3 sizes.



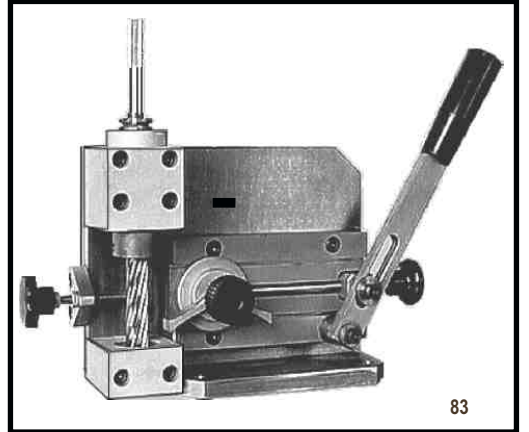
Art. 48 or 51. Bottom Bracket Threading Tool, inc. cutters for facing bottom bracket shell. Complete - English / Italian.



Head Cup Remover. With optional parts for Oversize Headsets.



Steering Column Thread Cutter. Guides/Cutters available for 3 sizes, also Italian Threads.



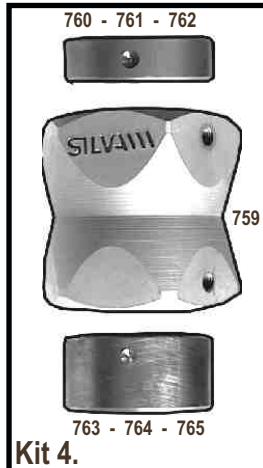
Machine for Milling Brake Bridge. Holders for different Bridges available.



Bottom Ball Race Removing Support. 3 sizes.



Seat Pin Reamer. Various sizes available. Also holder.



Headset Crown Race Setter Guides available for 3 sizes.



Holder for Small Reamers.

Cutters available with Nitride Coating to Order
Many Cutters Campag Compatible. Detail on Request.